

# Slip Rings

**Compact**

**SR060E**

**Low-maintenance**



**UL** US pending

In general slip rings are used to transmit power, signals or data from a stationary to a rotating platform.

The SR060E is a compact, economical slip ring for up to 3 power and 2 signal transmissions.

New innovative contact materials ensure long service life and extremely low-maintenance operation. The round shape with smooth surfaces and high protection level allows easy cleaning.

## Compact

- Dimensions 60 x 98 mm
- Can be used as a pair starting from just 60 mm shaft distance of the sealing rollers
- Various component configurations for the transmission paths, max. 3 x power and 2 x signal transmission
- Easily accessible connections
- Load current up to 20 A

## Low-maintenance

- Maintenance cycles only every 100 million revolutions
- No contact oil required
- Easy cleaning – high protection level

## Applications for slip rings

Flowpack and blister packaging machines, robots and handling equipment, rotary tables

## Order code

for standard versions

**SR060E - XX - X - X - XX 2 - V100**

Type

a

b

c

d

e

f

g

**a** *Hollow shaft*  
20 = ø 20 mm [0.79"]  
22 = ø 22 mm [0.87"]  
24 = ø 24 mm [0.94"]  
25 = ø 25 mm [0.98"]  
(other diameters on request)

**b** *Number of signal / data channels*  
0 or 2

**c** *Number of load channels*  
0, 2 or 3

**d** *Max. load current*  
0 = no load channels  
1 = 16 A, 240 V AC/DC  
2 = 20 A, 240 V AC/DC

**e** *Contact material signal / data channels*  
0 = no signal / data channels  
3 = silver / precious metal  
4 = silver / bronze

**f** *Protection*  
2 = IP64

**g** *Version number (options)*  
V100 = without option  
> V100 = option on request

## Technical data

<b>Hollow shaft diameter</b>	up to max. ø 25 mm [0.98"]
<b>Voltage/current loading</b>	
load channels	240 V AC/DC, max. 16 A
signal channels	240 V AC/DC, max. 20 A (order option 2) 48 V AC/DC, max. 2 A
<b>Contact resistance</b>	dynamic only with contact material copper/bronze (load channel) and silver/bronze (data channel)
load channel	≤ 1 Ohm
signal channel	≤ 0.1 Ohm
<b>Insulation resistance</b>	10 <sup>3</sup> Ohm (at 500 V DC)
<b>Dielectric strength</b>	1000 V eff. (60 sec.)
<b>Speed max.</b>	500 min <sup>-1</sup>

<b>Service life</b>	typ. 500 million revolutions (depends on installation position)
<b>Maintenance cycles</b>	first maintenance after 50 million revolutions, all further maintenance intervals after 100 million revolutions
<b>Material pairing load channels</b>	copper / bronze
<b>Operating temperature</b>	0°C ... +75°C [+32°F ... +167°F]
<b>Protection</b>	IP64
<b>Standards</b>	VDE 0110 and VDE 0295/6.92

# Slip Rings

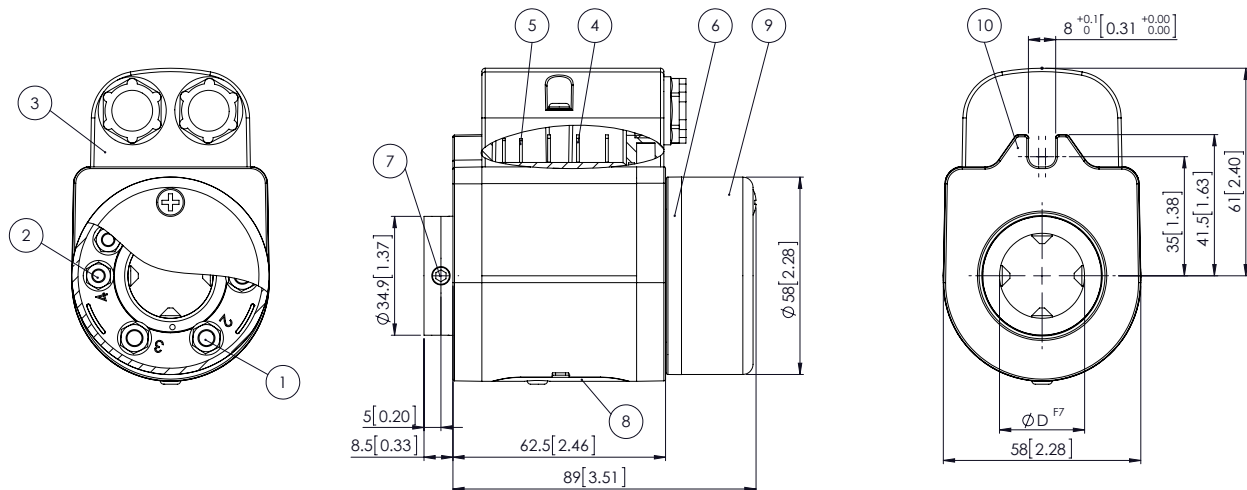
<b>Compact</b>	<b>SR060E</b>	<b>Low-maintenance</b>
----------------	---------------	------------------------

**Contact material for electrical signal / data transmission**

Contact material	Silver / Bronze	Silver / Precious metal
<b>Suitable for</b>		
Very low currents and voltages	x	x
Digital and switching signals	x	x
High shock and vibration levels	x	x
Intermittent operation (constant contact resistance < 0.1 ohm when stopped and when rotating)		x
<b>Maintenance</b>		
Contact oil not required for maintenance	x	x

## Dimensions

Dimensions in mm [inch]



- |                                                                                                                                                                                                                                                  |                                                                                                                                                                                                                                              |                                                                                                                                                  |
|--------------------------------------------------------------------------------------------------------------------------------------------------------------------------------------------------------------------------------------------------|----------------------------------------------------------------------------------------------------------------------------------------------------------------------------------------------------------------------------------------------|--------------------------------------------------------------------------------------------------------------------------------------------------|
| <ul style="list-style-type: none"> <li>1 – Screw terminal M5 for power transmission</li> <li>2 – Screw terminal M4 for signal transmission</li> <li>3 – Protective cover for the stator connections with screwed assembly (only IP64)</li> </ul> | <ul style="list-style-type: none"> <li>4 – Flat pin connection for power transmission</li> <li>5 – Flat pin connection for signal transmission</li> <li>6 – Rotating connection ring</li> <li>7 – 4 x socket set screw DIN 914 M6</li> </ul> | <ul style="list-style-type: none"> <li>8 – Maintenance window</li> <li>9 – Protective cover for connections</li> <li>10 – Torque stop</li> </ul> |
|--------------------------------------------------------------------------------------------------------------------------------------------------------------------------------------------------------------------------------------------------|----------------------------------------------------------------------------------------------------------------------------------------------------------------------------------------------------------------------------------------------|--------------------------------------------------------------------------------------------------------------------------------------------------|

Slip rings