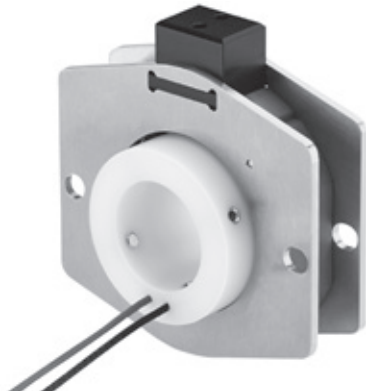


Slip Rings

Modular **SR085B** **Construction system**



In general slip rings are used to transmit power, signals or data from a stationary to a rotating platform.

The SR085B is a cost-effective bearingless slip ring. Its flexible modular system allows a wide range of customer-specific applications.

The SR085B is ideally suited for the transmission of signals, data and/or loads.

Flexible and slim

- Modular construction system, can be combined as desired
- From 33 mm mounting depth
- Cost-effective bearingless construction
- Long service life and long maintenance cycles

Applications

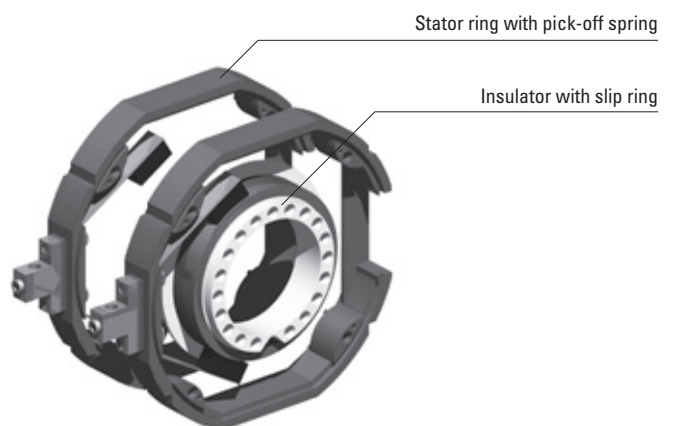
Revolving doors, rotary tables, rotary show cases, packaging machines, other low speed applications.

Slip rings

Order code	SR085B	-XX-	XX-	1	0	X-	V100
	Type	a	b	c	d	e	f
a Type of mounting	20 = hollow shaft, ø 20 mm [0.79"]						
	24 = hollow shaft, ø 24 mm [0.94"]						
	25 = hollow shaft, ø 25 mm [0.98"]						
	30 = hollow shaft, ø 30 mm [1.18"]						
	34 = hollow shaft, ø 34 mm [1.34"]						
	(other options on request)						
b Number of channels							
	max. 10 channels						
c Max. load current							
	1 = 16 A, 240 V AC/DC						
d Mounting position							
	0 = any						
e Contact material							
	3 = silver / precious metal						
	4 = silver / bronze						
	5 = copper / bronze						
f Version number (options)							
	V100 = without options						
	>V100 = options on request						

Technical data (standard version)	
Overall length	dep. on the number of transmission paths
Hollow shaft diameter	up to ø 34 mm [1.34"]
Voltage/current loading	240 V AC/DC, max. 16 A
Contact resistance (dynamic only with contact material copper/bronze and silver/bronze)	
	copper / bronze ≤ 1 Ohm
	silver / precious metal ≤ 0.1 Ohm
	silver / bronze ≤ 0.1 Ohm
Insulation resistance	10 ³ MOhm, at 500 V DC
Dielectric strength	1000 V eff. (60 sec.)
Speed max.	200 min ⁻¹
Protection	IP40
Service life	typ. 500 million revolutions dep. on the mounting position
Maintenance cycles	typ. 100 million revolutions
Operating temperature	0°C ... +75°C [+32°F ... +167°F]

Modular construction system



Slip Rings

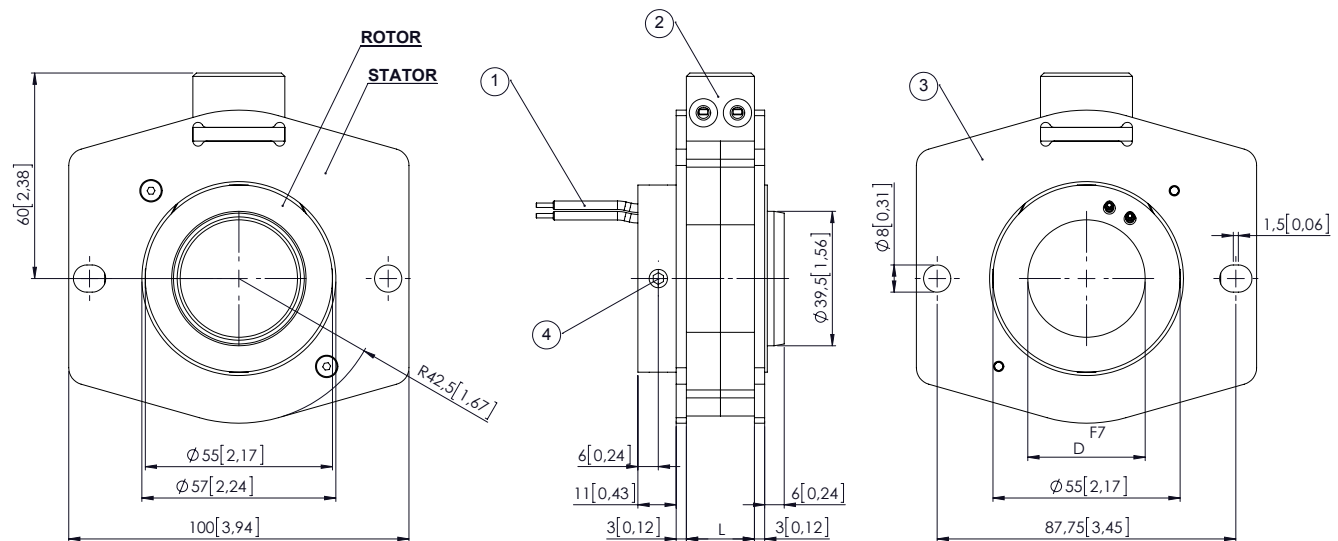
Modular	SR085B	Construction system
----------------	---------------	----------------------------

Contact material

Contact material	Copper / Bronze	Silver / Bronze	Silver / Precious metal
Suitable for load transmission High currents and voltages	x		
Suitable for signal / data / load transmission Low currents and voltages		x	x
Digital and switching signals		x	x
Field bus signals			x
Intermittent operation (constant contact resistance < 0.1 ohm when stopped and when rotating)			x
Maintenance Contact oil not required for maintenance	x	x	x

Dimensions

Dimensions in mm [inch]



Permitted misalignment rotor/stator
axial = max 0.5mm
radial = max 0.5mm

- 1 – Connection wires
- 2 – Terminal clamp for power without wire protection, with shock-hazard touch protection
- 3 – Stator cover, mounting plate
- 4 – 4 x socket set screw DIN 914 M6

Calculation of total length L:
Basic dimension: 23 mm [0.91"]
Additional dimension: +10 mm [0.39"] per channel