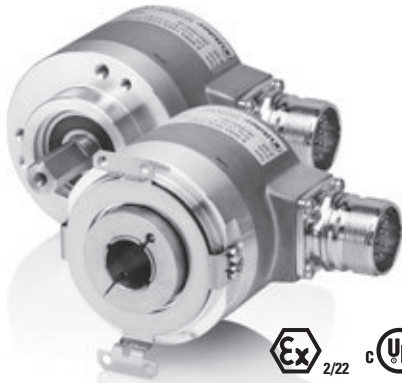


Incremental encoders

Standard sine wave output, SIL2/PLd, optical	Sendix SIL 5814FS2 / 5834FS2 (shaft / hollow shaft)	SinCos
--	--	---------------



The incremental encoders 5814FS2 and 5834FS2 of the Sendix SIL family are suited for use in safety-related applications up to SIL2 according to EN 61800-5-2 or PLd to EN ISO 13849-1.

These encoders are particularly suited for applications in the field of safe drive technology.



Incremental encoders



Safety-Lock™



High rotational speed



Temperature range



High protection level



High shaft load capacity



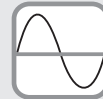
Shock / vibration resistant



Magnetic field proof



Reverse polarity protection



SinCos



Optical sensor

Functional Safety

- Encoder with individual certificate from IFA / TÜV.
- Suitable for applications up to SIL2 acc. to EN 61800-5-2.
- Suitable for applications up to PLd acc. to EN ISO 13849-1.
- With incremental SinCos tracks.
- Certified mechanical mounting + electronic.

Flexible

- Shaft and hollow shaft versions.
- Cable and connector variants.
- Various mounting options available.

Order code	8.5814FS2	. 1	X	X	X	. XXXX
Shaft version	Type	a	b	c	d	e

If for each parameter of an encoder the **underlined preferred option** is selected, then the delivery time will be 10 working days for a maximum of 10 pieces. Qts. up to 50 pcs. of these types generally have a delivery time of 15 working days.



- a Flange**
1 = clamping flange, IP65, ø 58 mm [2.28"]
- b Shaft (ø x L)**
2 = 10 x 20 mm [0.39 x 0.79"], with flat
A = 10 x 20 mm [0.39 x 0.79"], with feather key
- c Output circuit / power supply**
1 = SinCos / 5 V DC
2 = SinCos / 10 ... 30 V DC

- d Type of connection**
1 = axial cable, 1 m [3.28'] PVC
A = axial cable, special length PVC *)
2 = radial cable, 1 m [3.28'] PVC
B = radial cable, special length PVC *)
3 = axial M23 connector, 12 pin
4 = radial M23 connector, 12 pin
5 = axial M12 connector, 8 pin
6 = radial M12 connector, 8 pin
- *) Available special lengths (connection types A, B):
2, 3, 5, 8, 10, 15 m [6.56, 9.84, 16.40, 26.25, 32.80, 49.21']
order code expansion .XXXX = length in dm
ex.: 8.5814FS2.122A.2048.0030 (for cable length 3 m)

- e Pulse rate**
1024, 2048
- Optional on request*
- Ex 2/22

Order code	8.5834FS2	. X	X	X	X	. XXXX
Hollow shaft	Type	a	b	c	d	e

If for each parameter of an encoder the **underlined preferred option** is selected, then the delivery time will be 10 working days for a maximum of 10 pieces. Qts. up to 50 pcs. of these types generally have a delivery time of 15 working days.



- a Flange**
9 = with torque stop, flexible, IP65
A = with torque stop set, rigid, IP65
B = with stator coupling, IP65, ø 63 mm [2.48"]
- b Hollow shaft**
3 = ø 10 mm [0.39"]
4 = ø 12 mm [0.47"]
5 = ø 14 mm [0.55"]
K = ø 10 mm [0.39"], tapered shaft
- c Output circuit / power supply**
1 = SinCos / 5 V DC
2 = SinCos / 10 ... 30 V DC

- d Type of connection**
2 = radial cable, 1 m [3.28'] PVC
B = radial cable, special length PVC *)
E = tangential cable, 1 m [3.28'] PVC
F = tangential cable, special length PVC *)
4 = radial M23 connector, 12 pin
6 = radial M12 connector, 8 pin
- *) Available special lengths (connection types B, F):
2, 3, 5, 8, 10, 15 m [6.56, 9.84, 16.40, 26.25, 32.80, 49.21']
order code expansion .XXXX = length in dm
ex.: 8.5834FS2.B42B.2048.0030 (for cable length 3 m)

- e Pulse rate**
1024, 2048
- Optional on request*
- Ex 2/22
(not for connection type E + F)

Incremental encoders

Standard sine wave output, SIL2/PLd, optical		Sendix SIL 5814FS2 / 5834FS2 (shaft / hollow shaft)	SinCos
Accessory			Order no.
EMC shield terminal	for top-hat rail mounting		8.0000.4G06.0000
Screw retention	Loctite 243, 5 ml		8.0000.4G05.0000
Bellows coupling, safety-oriented	You will find an overview of our couplings for Sendix SIL shaft encoders in the accessories section or under www.kuebler.com/accessories .		
Safety modules Safety-M compact / modular	You will find an overview of our systems and components for Functional Safety and the corresponding software in the safety technology section or under www.kuebler.com/safety .		
Connection technology			Order no.
Cordset, pre-assembled	M12 female connector with coupling nut, 2 m [6.56'] PVC cable ¹⁾		05.00.6041.8211.002M
	M23 female connector with coupling nut, 2 m [6.56'] PVC cable ¹⁾		8.0000.6901.0002
Connector, self-assembly (straight)	M12 female connector with coupling nut		05.CMB 8181-0
	M23 female connector with coupling nut		8.0000.5012.0000
	M23 female connector with coupling nut, Ex zone 2/22		8.0000.5012.0000.Ex

Further accessories can be found in the accessories section or in the accessories area of our website at: www.kuebler.com/accessories.

Additional connectors can be found in the connection technology section or in the connection technology area of our website at: www.kuebler.com/connection_technology.

Technical data

Notes regarding "Functional Safety"	
These encoders are suitable for use in safety-related systems up to SIL2 acc. to EN 61800-5-2 and PLd to EN ISO 13849-1 in conjunction with controllers or evaluation units, which possess the necessary functionality.	
Additional functions can be found in the operating manual.	

Safety characteristics	
Classification	PLd / SIL2
System structure	2 channel (Cat. 3 / HFT = 1)
PFH_d value ²⁾	2.16 x 10 ⁻⁸ h ⁻¹
Proof-test interval	20 years
Relevant standards	EN ISO 13849-1:2008; EN ISO 13849-2:2013; EN 61800-5-2:2007

Electrical characteristics	
Power supply	5 V DC (±5 %) or 10 ... 30 V DC
Power consumption (no load)	5 V DC max. 70 mA 10 ... 30 V DC max. 45 mA
Reverse polarity protection of the power supply	yes
Short circuit proof outputs	yes ⁴⁾
UL approval	file 224618
CE compliant acc. to	EMC guideline 2004/108/EC Machinery directive 2006/42/EC RoHS guideline 2011/65/EU

EMC	
Relevant standards	EN 55011 class B :2009 / A1:2010 EN 61000-6-3:2007 / A1:2011 EN 61000-6-2:2005

Mechanical characteristics		
Maximum speed, shaft version	up to 70°C [158°F]	12000 min ⁻¹ , 10000 min ⁻¹ (continuous)
	up to T _{max}	8000 min ⁻¹ , 5000 min ⁻¹ (continuous)
Maximum speed, hollow shaft version	up to 70°C [158°F]	9000 min ⁻¹ , 6000 min ⁻¹ (continuous)
	up to T _{max}	6000 min ⁻¹ , 3000 min ⁻¹ (continuous)
Starting torque – at 20°C [68°F]	shaft version	< 0.01 Nm
	hollow shaft version	< 0.03 Nm
Mass moment of inertia	shaft version	4.0 x 10 ⁻⁶ kgm ²
	hollow shaft version	7.0 x 10 ⁻⁶ kgm ²
Insertion depth for shaft	hollow shaft version	min. 34 mm [1.34"]
Load capacity of shaft	radial	80 N
	axial	40 N
Weight		approx. 0.45 kg [15.87 oz]
Protection acc. to EN 60529		IP65
Working temperature range		-40°C ... +90°C [-40°F ... +194°F] ³⁾
Materials	shaft / hollow shaft	stainless steel
	flange	aluminium
	housing	zinc die-cast
	cable	PVC
Shock resistance acc. to EN 60068-2-27		500 m/s ² , 11 ms
Vibration resistance acc. to EN 60068-2-6		200 m/s ² , 10 ... 150 Hz

1) Other lengths available.

2) The specified value is based on a diagnostic coverage of 90 %, that must be achieved with an encoder evaluation unit.

The encoder evaluation unit must meet at least the requirements for SIL2.

3) Cable version: -30°C ... +90°C [-22°F ... +194°F] fixed installation.

4) Short circuit to 0 V or to output, one channel at a time, power supply correctly applied.

Incremental encoders

Standard sine wave output, SIL2/PLd, optical	Sendix SIL 5814FS2 / 5834FS2 (shaft / hollow shaft)	SinCos
---	--	---------------

SinCos interface	
Max. frequency -3dB	400 kHz
Signal level	1 V _{pp} (±10 %)
Short circuit proof	yes ¹⁾
Pulse rate	1024 / 2048 ppr

Terminal assignment

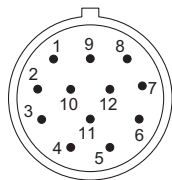
Output circuit	Type of connection	Cable (isolate unused wires individually before initial start-up)								
1, 2	1, 2, A, B, E, F	Signal:	0 V	+V	A	\bar{A}	B	\bar{B}	\perp	
		Cable colour:	WH	BN	GN	YE	GY	PK	shield	
Output circuit	Type of connection	M23 connector, 12-pin								
1, 2	3, 4	Signal:	0 V	+V	A	\bar{A}	B	\bar{B}	\perp	
		Pin:	10	12	5	6	8	1	PH ²⁾	
Output circuit	Type of connection	M12 connector, 8-pin								
1, 2	5, 6	Signal:	0 V	+V	A	\bar{A}	B	\bar{B}	\perp	
		Pin:	1	2	3	4	5	6	PH ²⁾	

- +V: Encoder power supply +V DC
- 0 V: Encoder power supply ground GND (0 V)
- A, \bar{A} : Cosine signal
- B, \bar{B} : Sine signal
- PH \perp : Plug connector housing (shield)

Top view of mating side, male contact base



M12 connector, 8-pin



M23 connector, 12-pin

1) Short circuit to 0 V or to output, one channel at a time, power supply correctly applied.
 2) PH = shield is attached to connector housing.

Incremental encoders

Standard
sine wave output, SIL2/PLd, optical

Sendix SIL 5814FS2 / 5834FS2 (shaft / hollow shaft)

SinCos

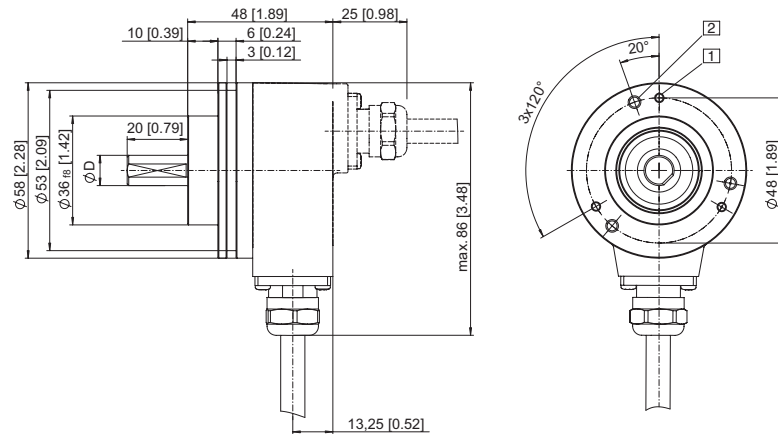
Dimensions shaft version

Dimensions in mm [inch]

Clamping flange, $\varnothing 58$ [2.28]

Flange type 1 with shaft type 2
(drawing with cable)

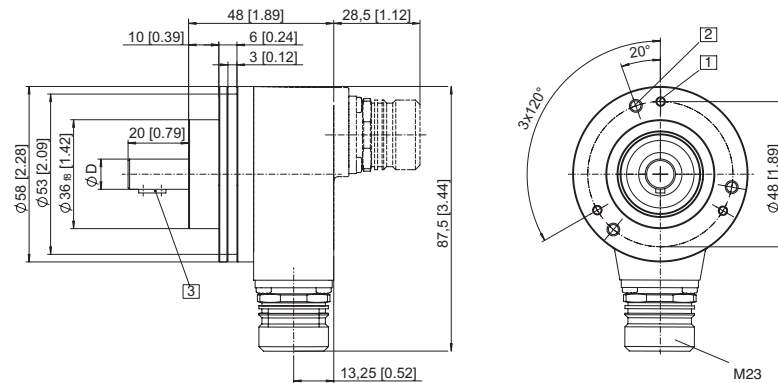
- 1 3 x M3, 6 [0.24] deep
- 2 3 x M4, 8 [0.32] deep
- D = 10^{h7} [0.39]



Clamping flange, $\varnothing 58$ [2.28]

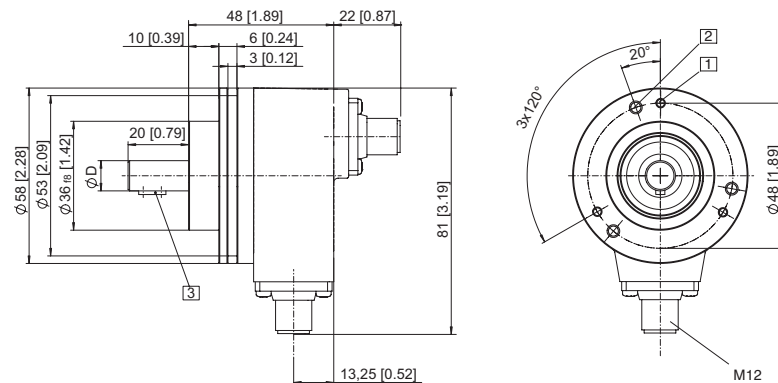
Flange type 1 with shaft type A
(drawing with M23 connector)

- 1 3 x M3, 6 [0.24] deep
- 2 3 x M4, 8 [0.32] deep
- 3 Feather key DIN 6885 - A - 3x3x6
- D = 10^{h7} [0.39]



(drawing with M12 connector)

- 1 3 x M3, 6 [0.24] deep
- 2 3 x M4, 8 [0.32] deep
- 3 Feather key DIN 6885 - A - 3x3x6
- D = 10 mm^{h7} [0.39]



Incremental encoders

Standard sine wave output, SIL2/PLd, optical	Sendix SIL 5814FS2 / 5834FS2 (shaft / hollow shaft)	SinCos
--	--	---------------

Dimensions hollow shaft version

Dimensions in mm [inch]

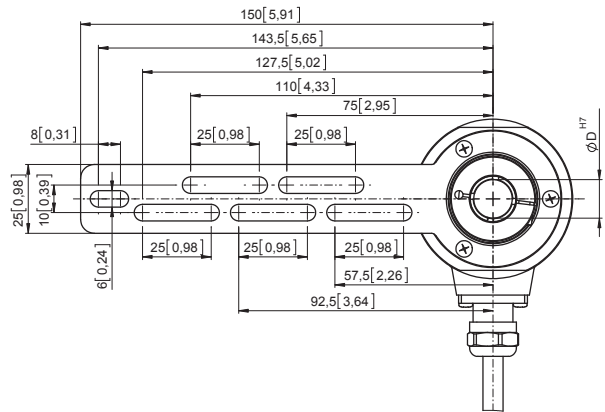
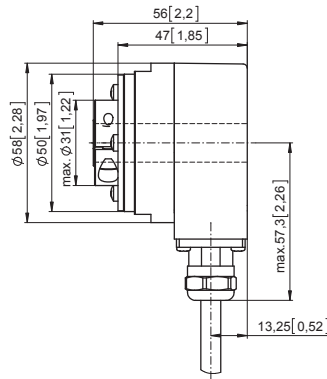
Flange with torque stop set, rigid

Flange type A

(drawing with cable)

- 1 SW 3, recommended torque for the clamping ring 2.5 Nm

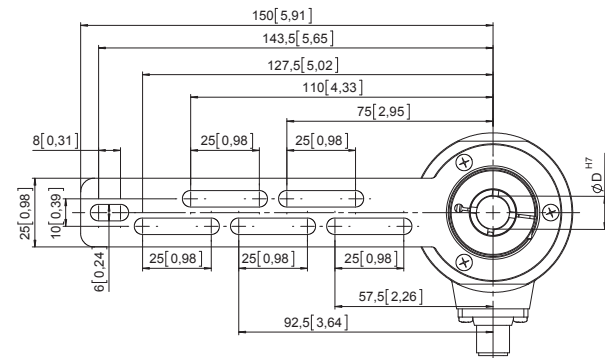
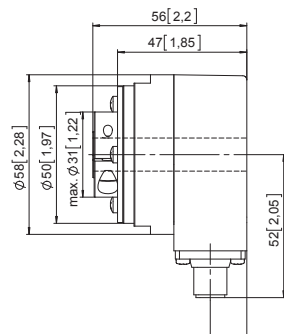
D = \varnothing 10^{H7} [0.39]
 \varnothing 12^{H7} [0.47]
 \varnothing 14^{H7} [0.55]



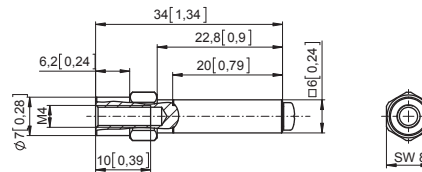
(drawing with M12 connector)

- 1 SW 3, recommended torque for the clamping ring 2.5 Nm

D = \varnothing 10^{H7} [0.39]
 \varnothing 12^{H7} [0.47]
 \varnothing 14^{H7} [0.55]



Torque pin with rectangular sleeve with M4 thread



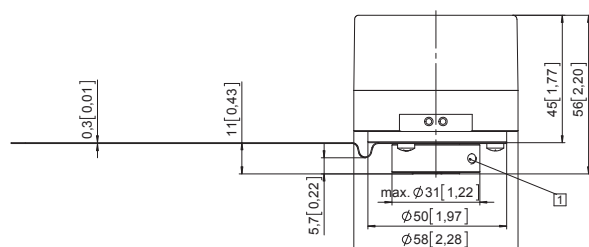
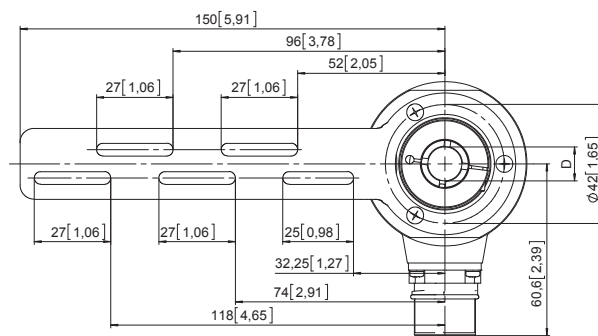
Flange with torque stop, flexible

Flange type 9

(drawing with M23 connector)

- 1 Recommended torque for the clamping ring 2.5 Nm

D = \varnothing 10^{H7} [0.39]
 \varnothing 12^{H7} [0.47]
 \varnothing 14^{H7} [0.55]



Incremental encoders

Standard
sine wave output, SIL2/PLd, optical

Sendix SIL 5814FS2 / 5834FS2 (shaft / hollow shaft)

SinCos

Dimensions hollow shaft version

Dimensions in mm [inch]

Flange with stator coupling, $\varnothing 63$ [2.48] and hollow shaft

Flange type B

(drawing with M23 connector)

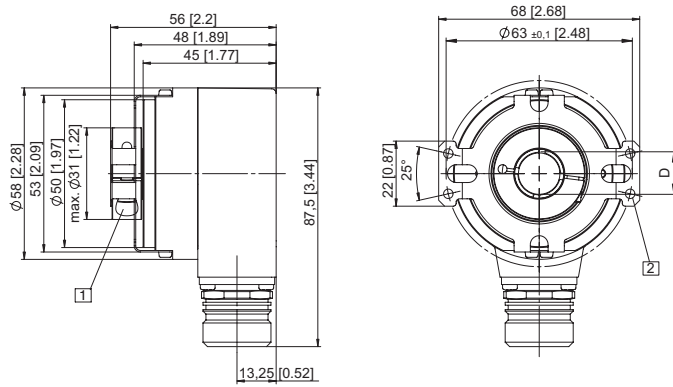
- 1 SW 3, recommended torque for the clamping ring 2.5 Nm

- 2 For (4x) M3 screw

$D = \varnothing 10^{H7}$ [0.39]

$\varnothing 12^{H7}$ [0.47]

$\varnothing 14^{H7}$ [0.55]



Flange with stator coupling, $\varnothing 63$ [2.48] and tapered shaft

Flange type B

(drawing with tangential cable outlet)

- 1 For (4x) M3 screw

- 2 Status LED

- 3 SET button

- 4 SW 4

